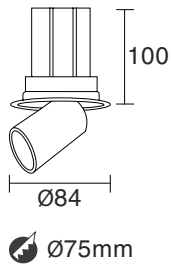


DLR-PW9

RoHS

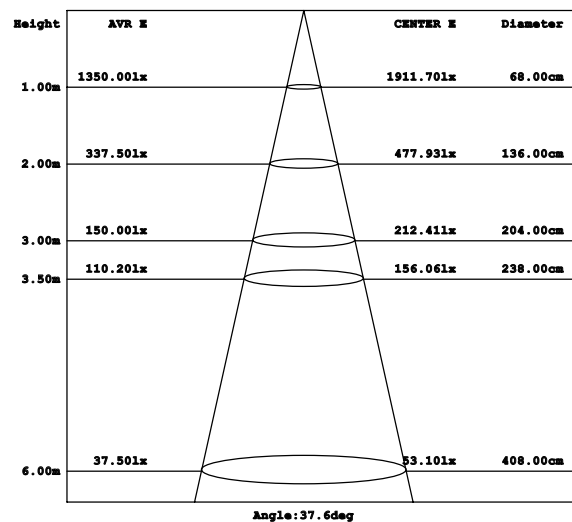
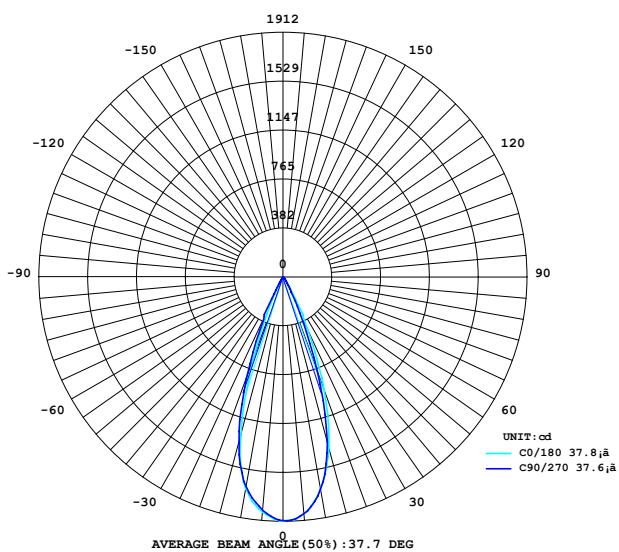
CE



SPECIFICATION

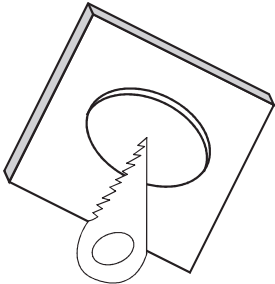
Model Code	DLR-PW9
Power	9W
Efficiency	110lm/W (4000K)
Input Voltage	220-240VAC
Triac Dimmable	Available
1-10V Dimmable	Available
Size	Ø84xH100mm
Hole size	Ø75mm
Body Color	White boder
LED Source	CREE (USA)
CRI	Ra>80/90*
Beam Angle	10°/ 15°/ 24°/ 38°/ 50°
CCT	2700K/ 3000K/ 4000K/ 5000K
Lumen	930lm(W), 990lm(N/C)
Life time	Min 30.000h
IP	IP30

PHOTOMETRIC CURVES Beam Angle 38°

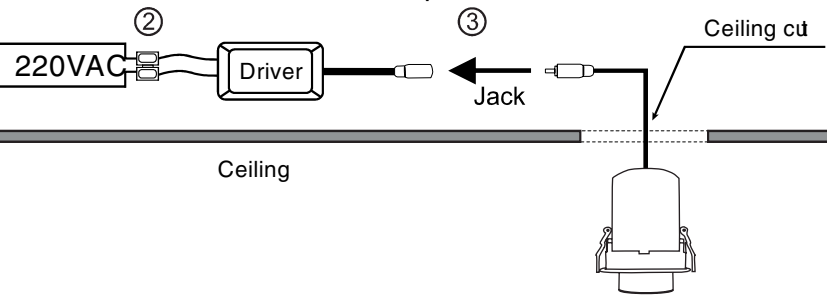


INSTALLATION INSTRUCTIONS

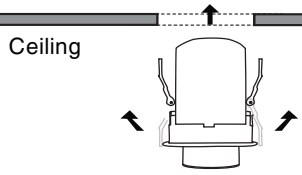
1. Drill a hole on the ceiling



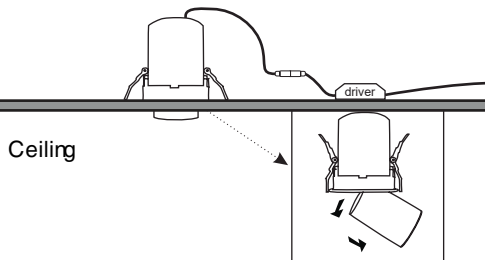
2. Connect LED driver to the power supply
3. Connect LED driver to lamp



4. Push the lamp into the hole in the ceiling



5. Finished installation



Note: - Disconnect the power supply before connecting the power
- Need to activate the warranty before use. If not activated, the applicable time is the factory time.

PACKING

Power	Package size	Quantity/Cartons	Carton size
9W	L130xW130xH110mm	20	L560xW270xH270mm

