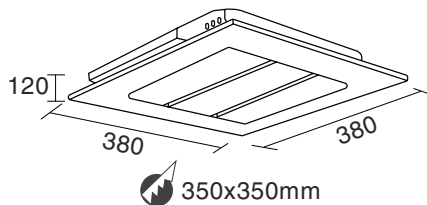


GS-DW150

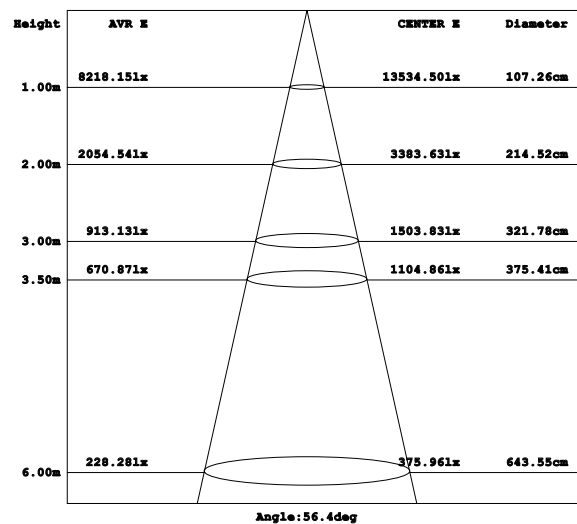
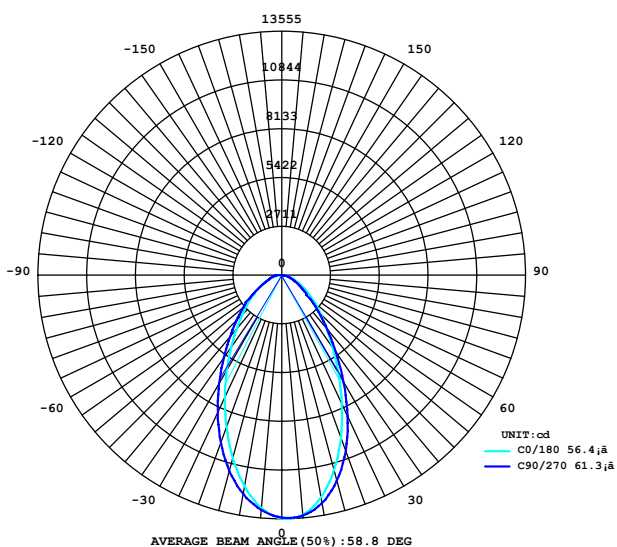
RoHS



SPECIFICATION

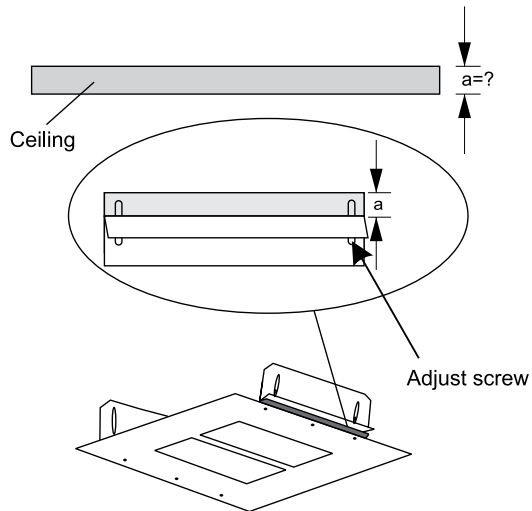
Model Code	GS-DW150
Power	150W
Efficiency	115lm/W (4000K)
Input Voltage	100-240VAC
Size	380x380x120mm
Hole size	350x350mm
Body Color	White
Weight	6.5Kg
LED Source	Lumileds (USA)
CRI	Ra>80
Beam Angle	80°
CCT	3000K/ 4000K/ 5700K
Lumen	16.480lm(W), 17.250lm(N/C)
Life time	Min 50.000h
IP/ IK	IP65/ IK08

PHOTOMETRIC CURVES

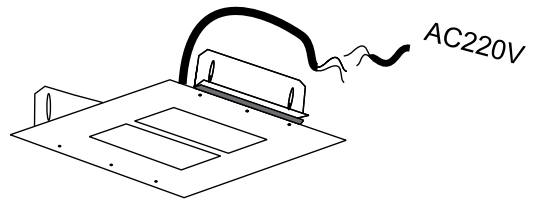


INSTALLATION INSTRUCTIONS

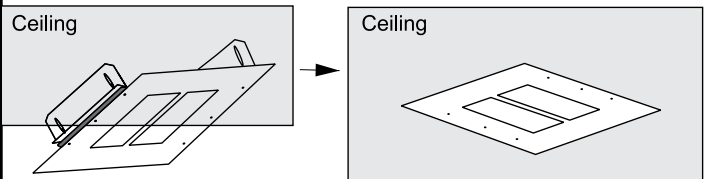
1. Drill a hole on the ceiling
2. Determine the ceiling thickness, adjust the size of the ceiling base width



3. Connect LED driver to the power supply



4. Push the lamp into the hole in the ceiling
5. Finished installation



Note: - Disconnect the power supply before connecting the power
- Need to activate the warranty before use. If not activated, the applicable time is the factory time.

PACKING

