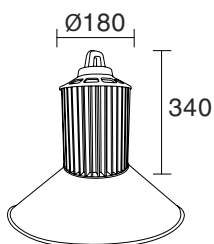


HB-DS100

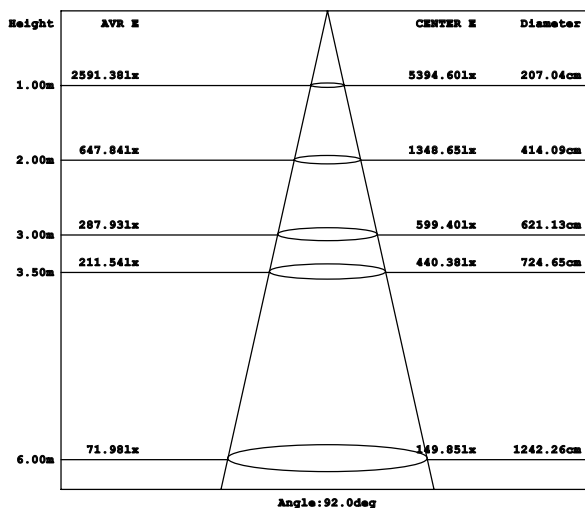
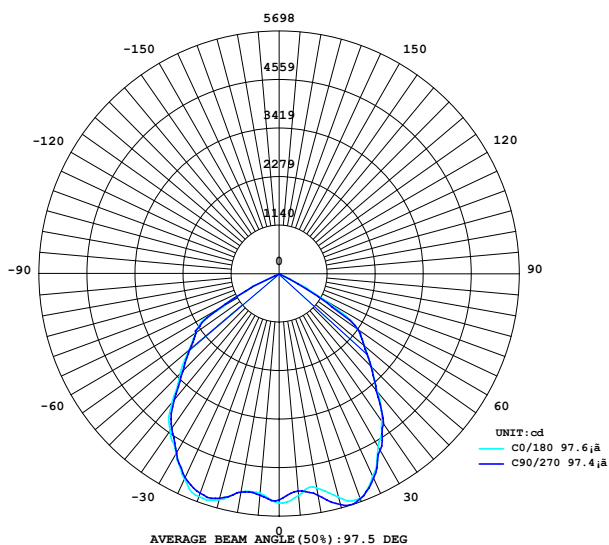
RoHS



## SPECIFICATION

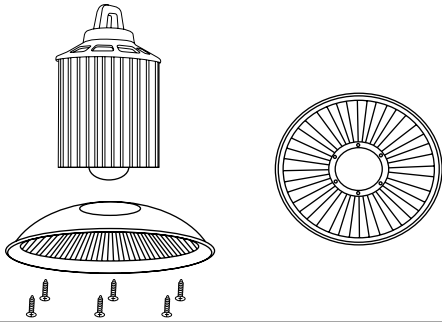
Model Code	HB-DS100
Power	100W
Efficiency	120lm/w (4000K)
Input Voltage	100-240VAC
Size	Ø180x340mm
Body Color	Silver
Weight	3.2kg
LED Source	Lumileds (USA)
CRI	Ra>80
Beam Angle	45°/ 60°/ 90°/ 120°
CCT	3000K/ 4000K/ 5700K
Lumen	11.480lm(W), 12.000lm(N/C)
Life time	Min 50.000h
IP	IP40

## PHOTOMETRIC CURVES Beam Angle 90°



## INSTALLATION INSTRUCTIONS

### 1. Assemble the screws and reflective cover



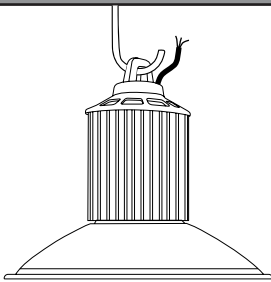
### 2. Install the hook and make sure the hook can support the weight of the light

Ceiling



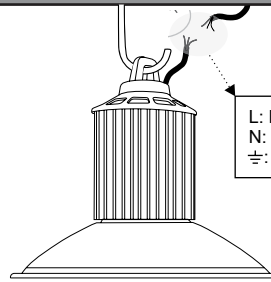
### 3. Put the lamp on the hook

Ceiling



### 4. connect the power lead to mains supply

Ceiling



L: Brown  
N: Blue  
⚡: Green/yellow

Note: - Disconnect the power supply before connecting the power  
- Need to activate the warranty before use. If not activated, the applicable time is the factory time.

## PACKING

Power	Package size	Quantity/Cartons	Carton size
100W	L250xW250xH390mm	1	-

