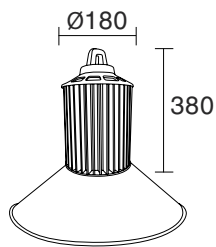


HB-DS150

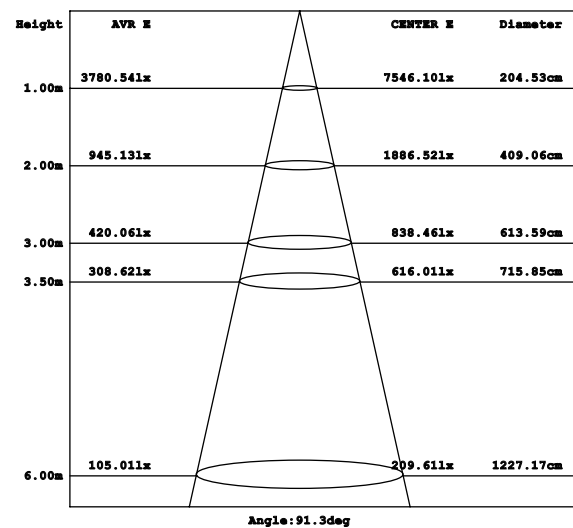
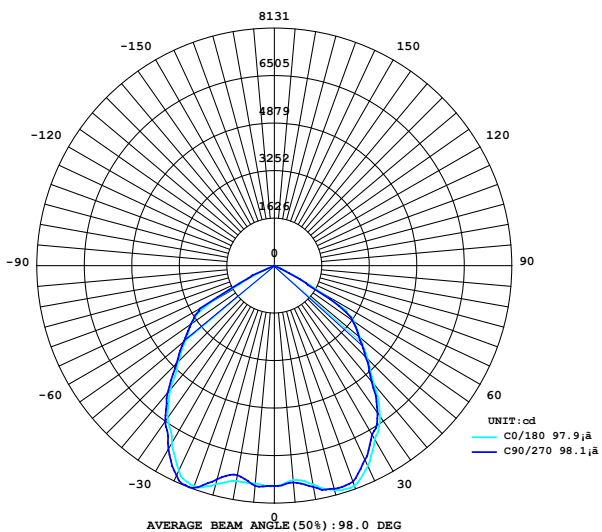
RoHS



### SPECIFICATION

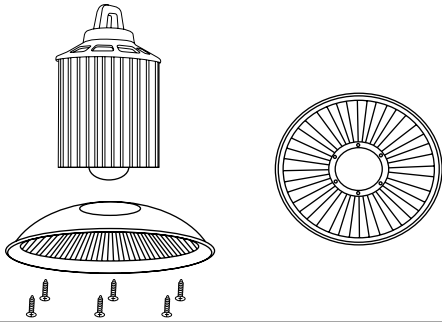
Model Code	HB-DS150
Power	150W
Efficiency	125lm/w (4000K)
Input Voltage	100-240VAC
Size	Ø180x380mm
Body Color	Silver
Weight	3.8kg
LED Source	Lumileds (USA)
CRI	Ra>80
Beam Angle	45°/ 60°/ 90°/ 120°
CCT	3000K/ 4000K/ 5700K
Lumen	18.270lm(W), 18.750lm(N/C)
Life time	Min 50.000h
IP	IP40

### PHOTOMETRIC CURVES Beam Angle 90°



## INSTALLATION INSTRUCTIONS

### 1. Assemble the screws and reflective cover



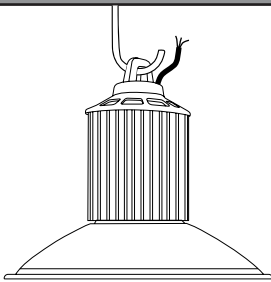
### 2. Install the hook and make sure the hook can support the weight of the light

Ceiling



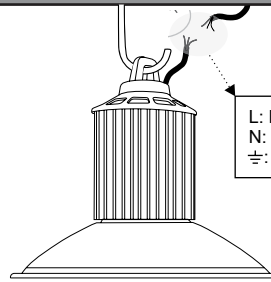
### 3. Put the lamp on the hook

Ceiling



### 4. connect the power lead to mains supply

Ceiling



L: Brown  
N: Blue  
⚡: Green/yellow

Note: - Disconnect the power supply before connecting the power  
- Need to activate the warranty before use. If not activated, the applicable time is the factory time.

## PACKING

Power	Package size	Quantity/Cartons	Carton size
150W	L250xW250xH390mm	1	-

