

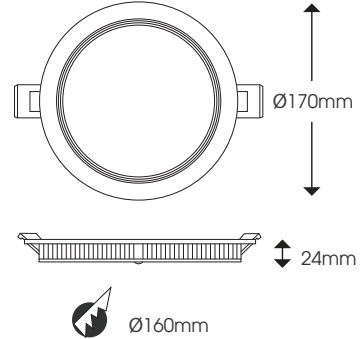
PL-R12

White



3000K 4000K 6500K

>30.000 Hours 85-265 VAC RoHS CE

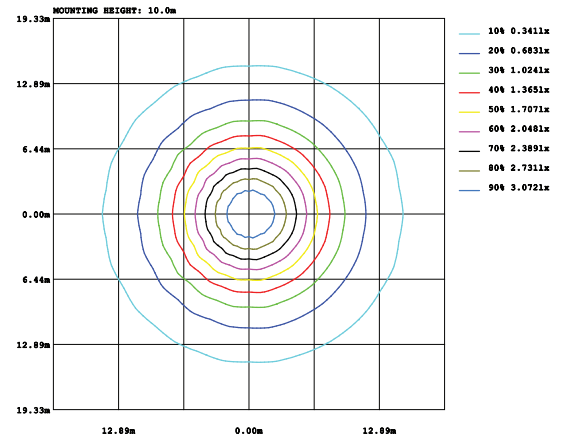
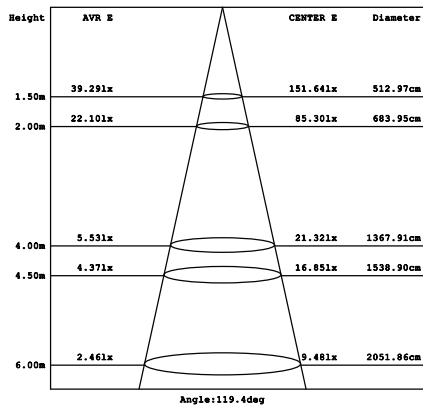
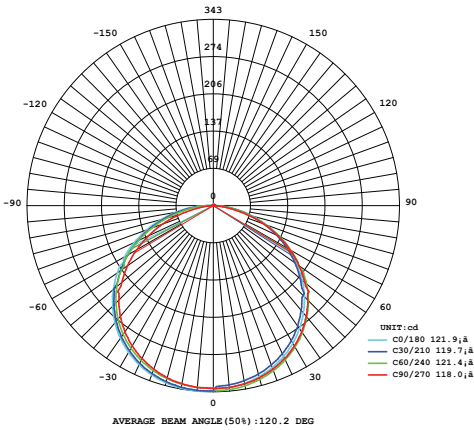


Model	Power	Led source	Beam angle	CCT	CRI	Flux
PL-R12	12W	Bridgelux (USA)	120°	3000K	>80	915lm
				4000K	>80	980lm
				6500K	>80	980lm

LAMP PHOTOMETRIC REPORT

AVERAGE AND CENTER E Figure

ISOLUX DIAGRAM



Parameter of PL-R12 | CCT 4000K

INSTALLATION INSTRUCTIONS

- Ceiling cut**

Size cut: Ø160mm
- Install pat**
- 3. Connected Led Driver with 220VAC power**
4. Connected Led Driver with lamp
- 5. Put the lamp on the ceiling**

PACKING

1 pcs
 185mm x 200mm x 40mm
 14 pcs
 420mm x 420mm x 240mm