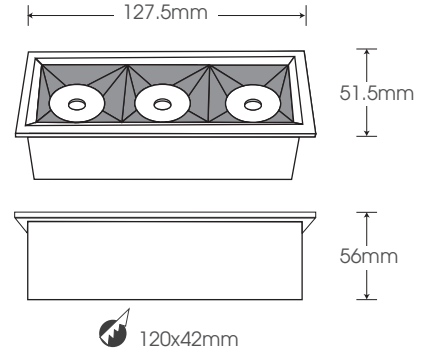


3000K 3500K 4000K 5000K 5700K

>30.000 Hours 220-240 VAC RoHS CE

DL-AW10

White

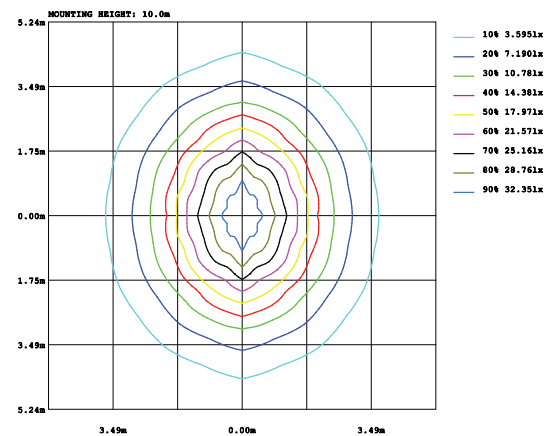
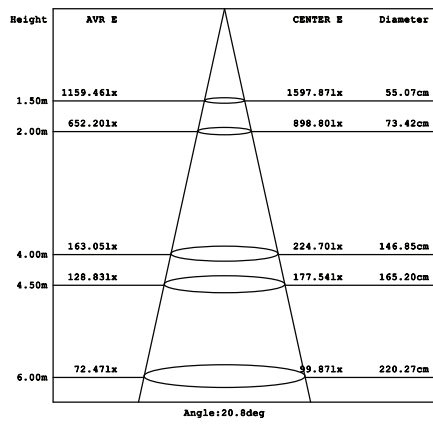
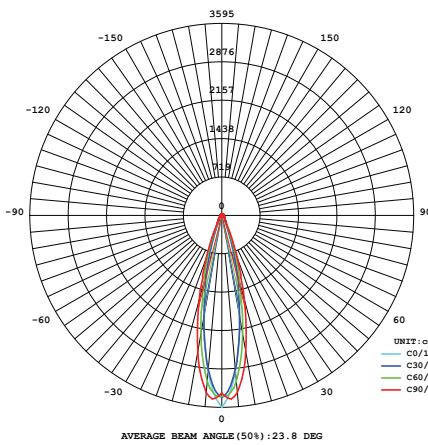


Model	Power	Led source	Led Qty..	Beam angle	CCT	CRI	Flux
DL-AW10	10W	Cree (USA)	3	24°/38°	3000K	>80	1100lm
					4000K	>80	1120lm
					5000K	>80	1120lm

LAMP PHOTOMETRIC REPORT

AVERAGE AND CENTER E Figure

ISOLUX DIAGRAM



Parameter of DL-AW10 | CCT 4000K

INSTALLATION INSTRUCTIONS

PACKING

