

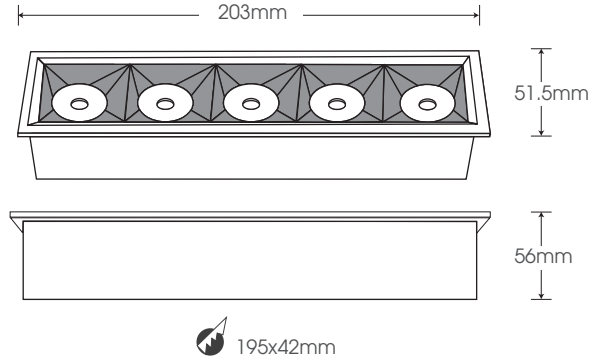
DLX-AW12

White



3000K 3500K 4000K 5000K 5700K

>30.000 Hours 220-240 VAC RoHS CE

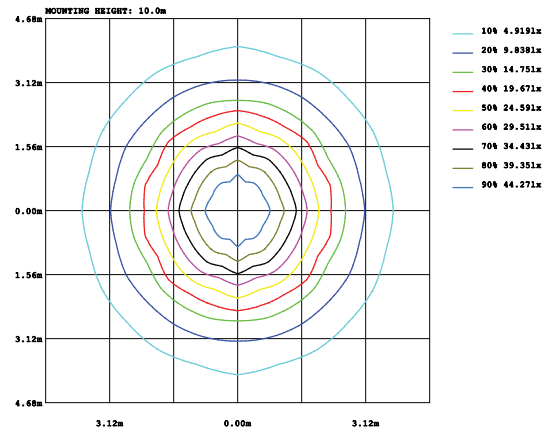
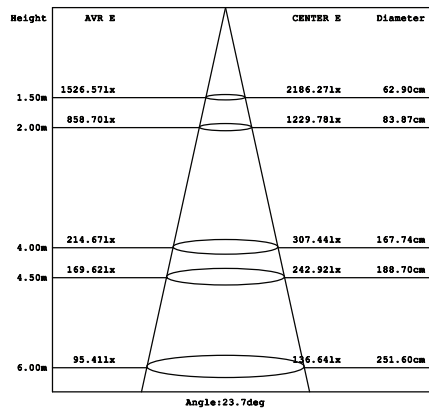
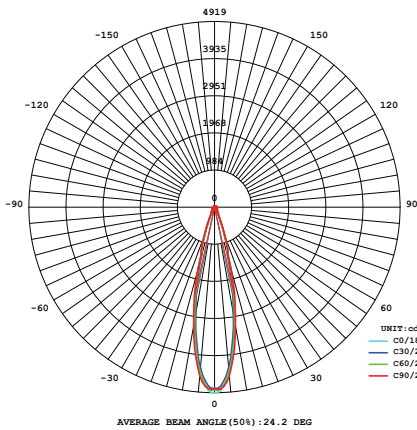


Model	Power	Led source	Led Qty.	Beam angle	CCT	CRI	Flux
DLX-AW12	12W	Cree (USA)	4	24°/38°	3000K	>80	1355lm
					4000K	>80	1385lm
					5000K	>80	1385lm

LAMP PHOTOMETRIC REPORT

AVERAGE AND CENTER E Figure

ISOLUX DIAGRAM



Parameter of DLX-AW12 | CCT 4000K

INSTALLATION INSTRUCTIONS

PACKING

