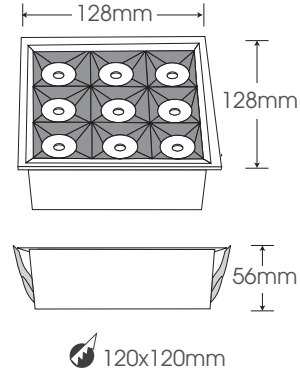


3000K 3500K 4000K 5000K 5700K

>30.000 Hours 220-240 VAC RoHS CE

## DL-AW25

White

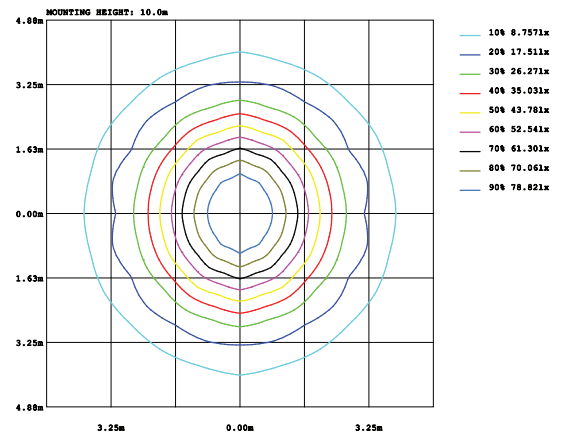
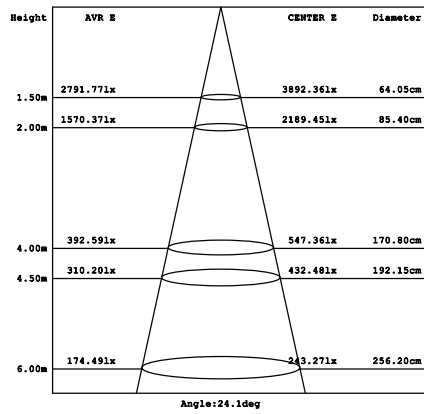
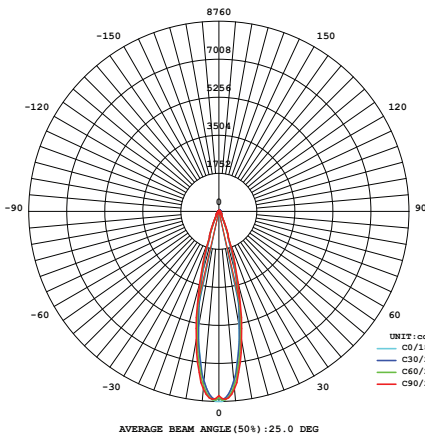


Model	Power	Led source	Led Qty.	Beam angle	CCT	CRI	Flux
DL-AW25	25W	Cree (USA)	9	24°/38°	3000K	>80	2340lm
					4000K	>80	2405lm
					5000K	>80	2405lm

### LAMP PHOTOMETRIC REPORT

### AVERAGE AND CENTER E Figure

### ISOLUX DIAGRAM



Parameter of DL-AW25 | CCT 4000K

### INSTALLATION INSTRUCTIONS

### PACKING

- Ceiling cut**
- Connected Led Driver with 220VAC power**  
**3. Connected Led Driver with lamp**
- Put the lamp on the ceiling**