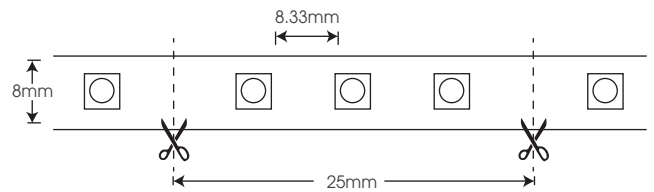
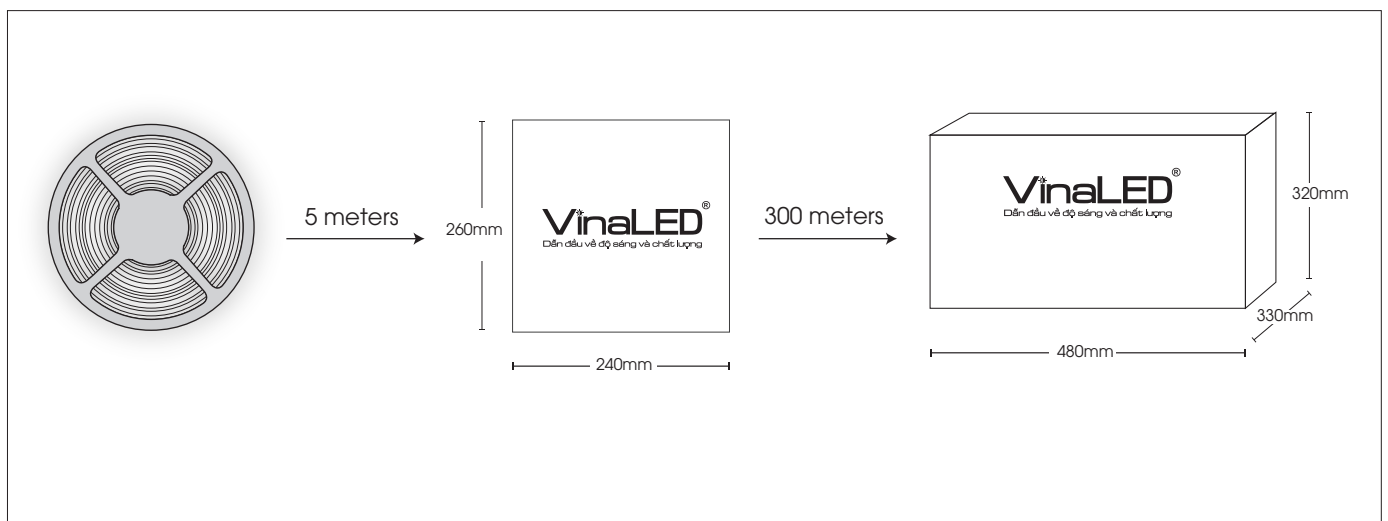


FSB-3528-IP33-L120



Model	Power	Led chip	Type leds	Led Qty.	CRI	CCT	Flux
FSB-3528-IP65-L120	9.6 W/metter	EPISTAR (Taiwan)	SMD3528	120 leds/metter	>80	2300K	655lm/m
						2700K	700lm/m
						3000K	740lm/m
						4000K	760lm/m
						5000K	
						6000K	740lm/m
						Yellow/ Red/ Blue/ Green/ Orange/ Pink/ Purple Use One Bin Color for uniform light color on all rolls	

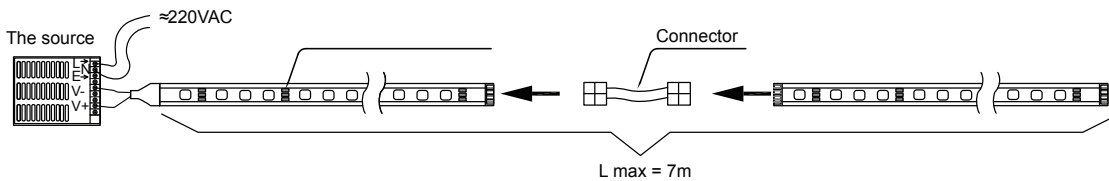
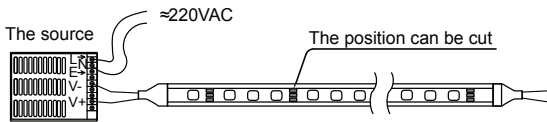
PACKING



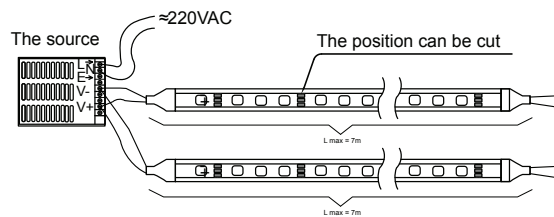
INSTALLATION INSTRUCTIONS

A. MONOCHROME FLEXIBLE LED STRIP

1. Connect 1 segment ≤ 7m



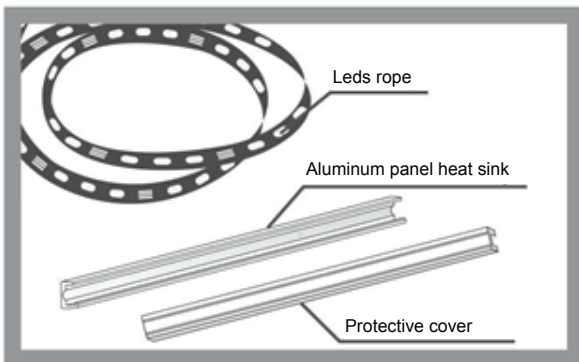
2. Connect many segment :



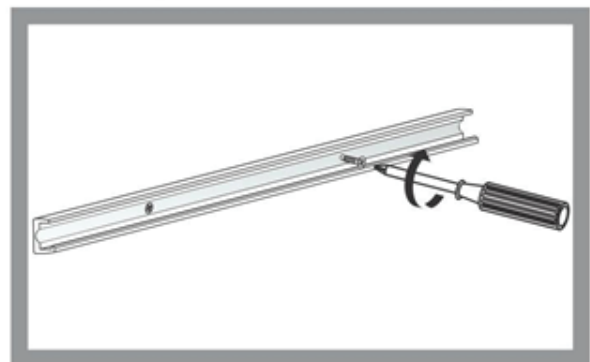
Note: The maximum length from the output of the source to the leds rope is 20m

B. CORRECT FORMAT INSTALLATION INSTRUCTIONS

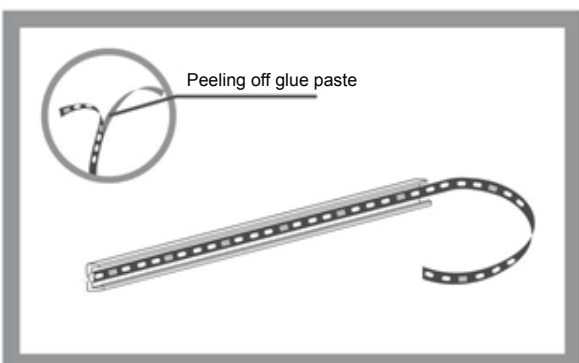
1. Prepare



2. Aluminum panel installation heat sink



3. Paste rope led



4. Install protective cover

