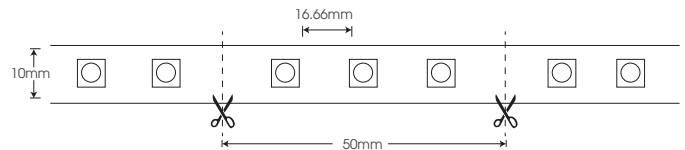
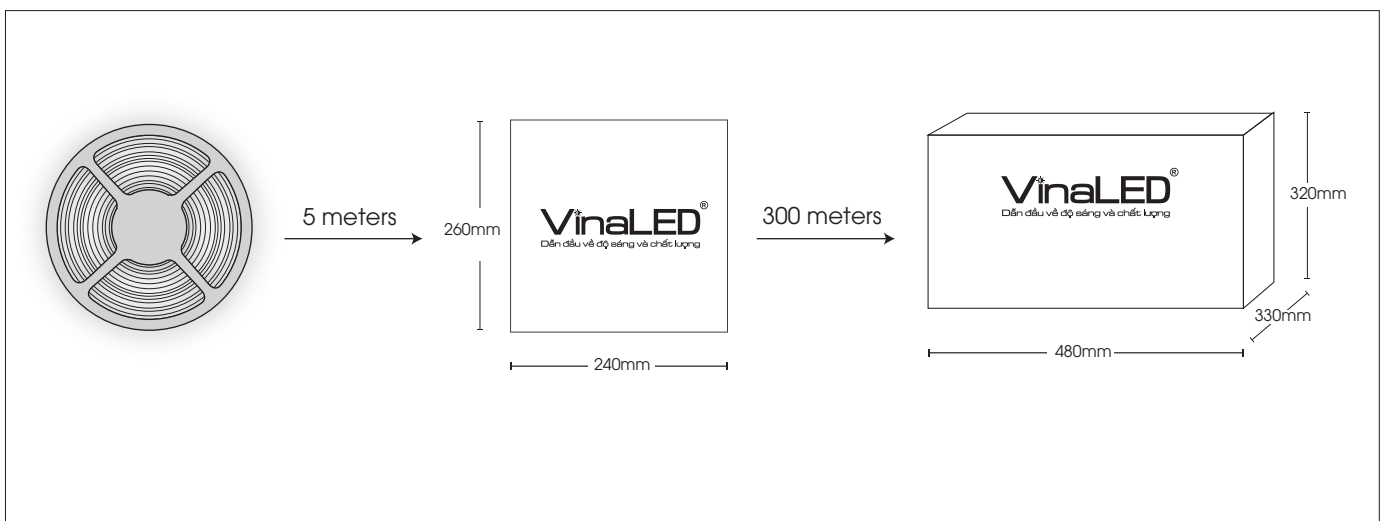


**FSB-5050-IP65-L60**



Model	Power	Led chip	Type leds	Led Qty.	CRI	CCT	Flux
FSB-5050-IP65-L60	14.4 W/metter	EPISTAR (Taiwan)	SMD5050	60 leds/metter	>80	2300K	780lm/m
						2700K	835lm/m
						3000K	880lm/m
						4000K	910lm/m
						5000K	
						6000K	880lm/m
						Yellow/ Red/ Blue/ Green/ Orange/ Pink/ Purple Use One Bin Color for uniform light color on all rolls	

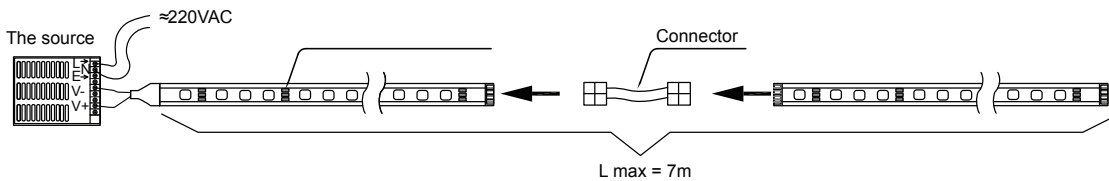
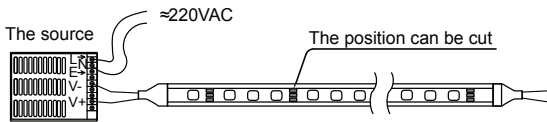
**PACKING**



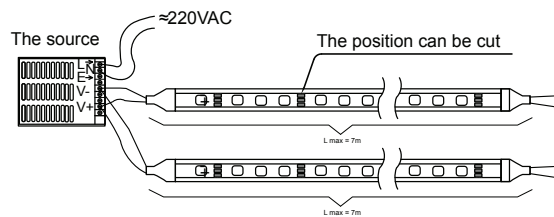
**INSTALLATION INSTRUCTIONS**

**A. MONOCHROME FLEXIBLE LED STRIP**

**1. Connect 1 segment ≤ 7m**



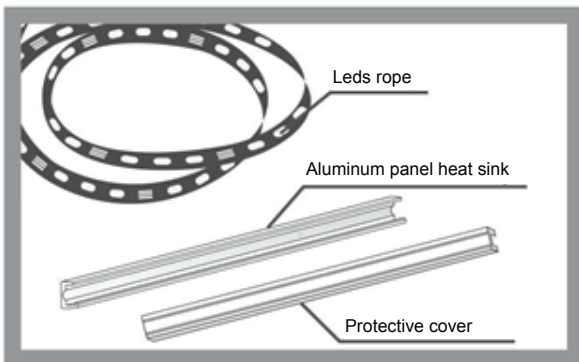
**2. Connect many segment :**



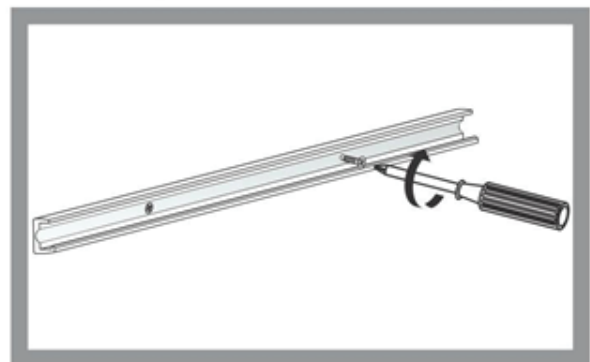
Note: The maximum length from the output of the source to the leds rope is 20m

**B. CORRECT FORMAT INSTALLATION INSTRUCTIONS**

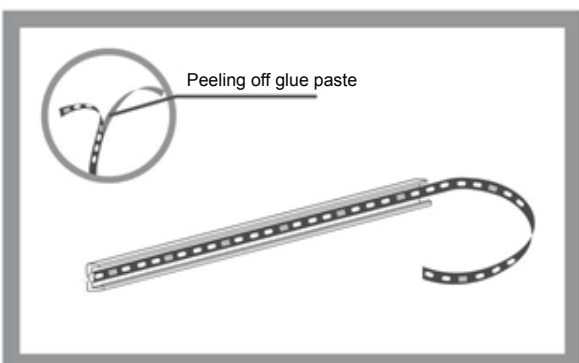
**1. Prepare**



**2. Aluminum panel installation heat sink**



**3. Paste rope led**



**4. Install protective cover**

