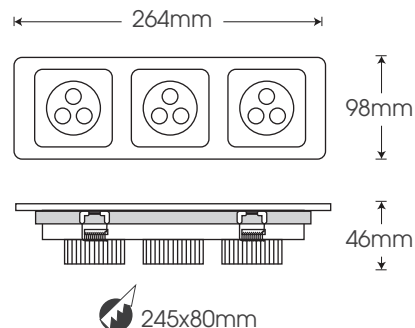


## DL-AS10

White



3000K 4000K 6000K

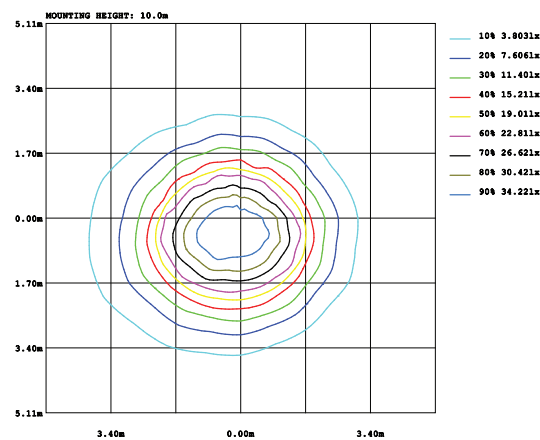
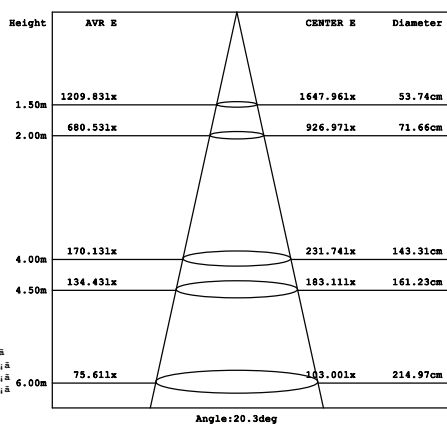
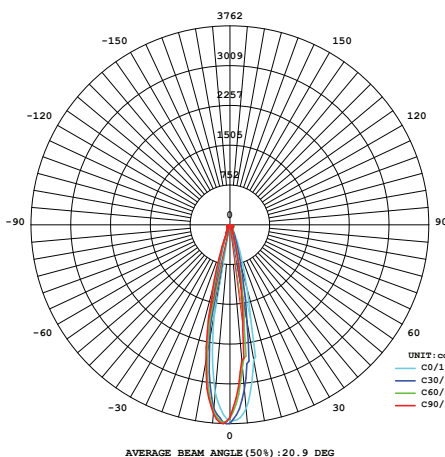


Model	Power	Led source	Beam angle	CCT	CRI	Flux
DL-AS10	10W	OSRAM	20°	3000K	>80	910lm
				4000K	>80	990lm
				5000K	>80	990lm

### LAMP PHOTOMETRIC REPORT

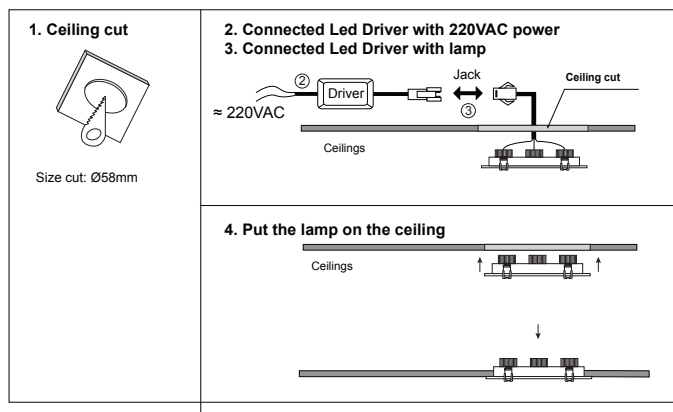
### AVERAGE AND CENTER E Figure

### ISOLUX DIAGRAM



Parameter of DL-AS10 | CCT 3000K

### INSTALLATION INSTRUCTIONS



### PACKING

