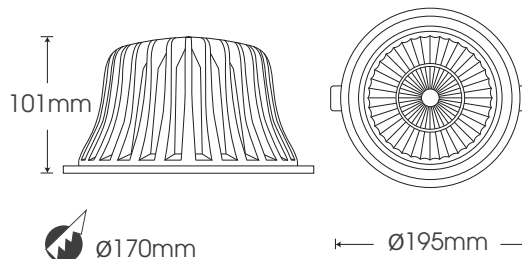




2700K 3000K 3500K 4000K 5000K 6500K

DL-KW30

White

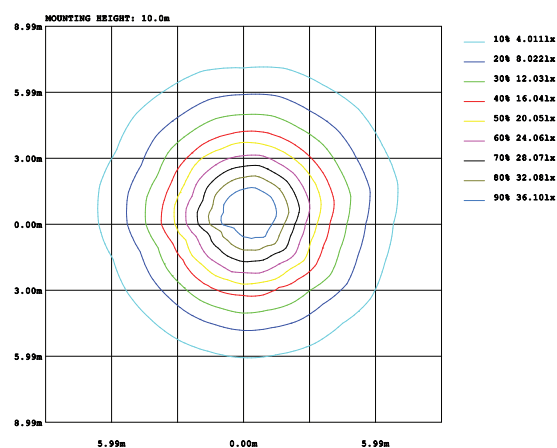
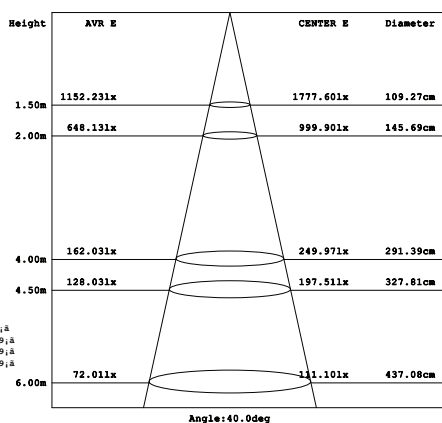
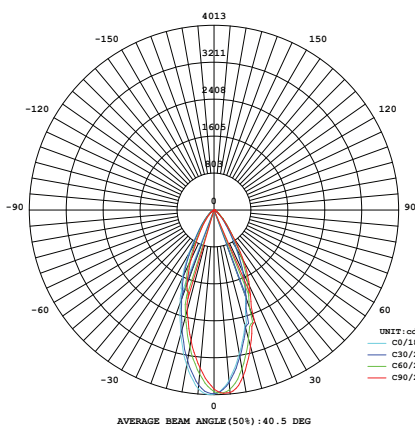


Model	Power	Led source	Beam angle	CCT	CRI	Flux
DL-KW30	30W	CREE (USA)	50°	3000K	>80	2235lm
				4000K	>80	2505lm
				5000K	>80	2505lm

LAMP PHOTOMETRIC REPORT

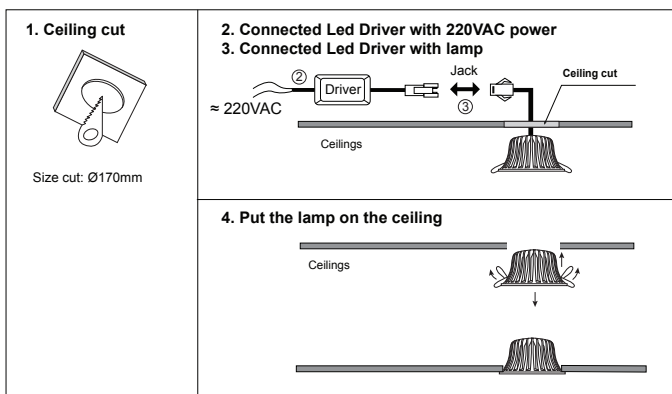
AVERAGE AND CENTER E Figure

ISOLUX DIAGRAM



Parameter of DL-KW30 | CCT 4000K

INSTALLATION INSTRUCTIONS



PACKING

