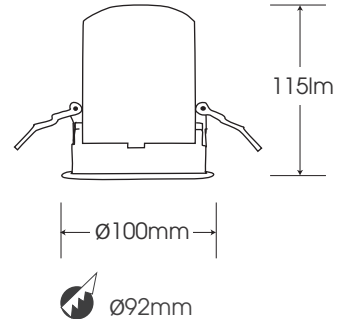




## DL-PW10/ DL-PB10

White

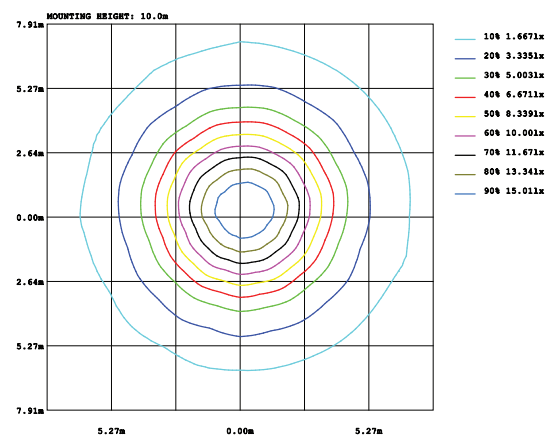
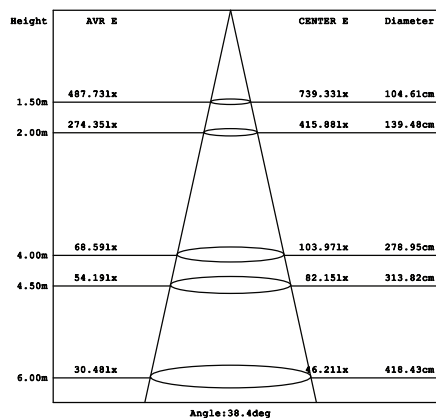
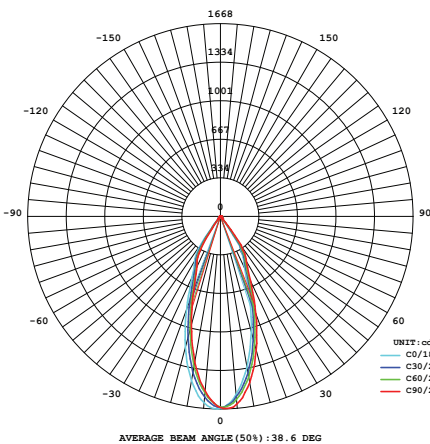


Model	Power	Led source	Beam angle	CCT	CRI	Flux
DL-PW10/ DL-PB10	10W	CREE (USA)	35°	3000K	>80	805lm
					>90	610lm
				4000K	>80	875lm
					>90	650lm
				5000K	>80	875lm

### LAMP PHOTOMETRIC REPORT

### AVERAGE AND CENTER E Figure

### ISOLUX DIAGRAM



Parameter of DL-PW10/ DL-PB10 | CCT 4000K

### INSTALLATION INSTRUCTIONS

### PACKING

- Ceiling cut**  

Size cut: Ø170mm
- Connected Led Driver with 220VAC power**  

≈ 220VAC → Driver → Jack → Ceiling cut
- Connected Led Driver with lamp**
- Put the lamp on the ceiling**

1 pcs → 130mm x 110mm x 130mm box  
 24 pcs → 530mm x 350mm x 310mm box