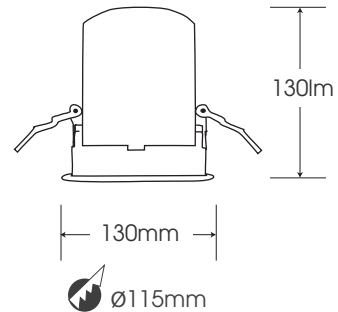




DLS-PW25/DLS-PB25

White

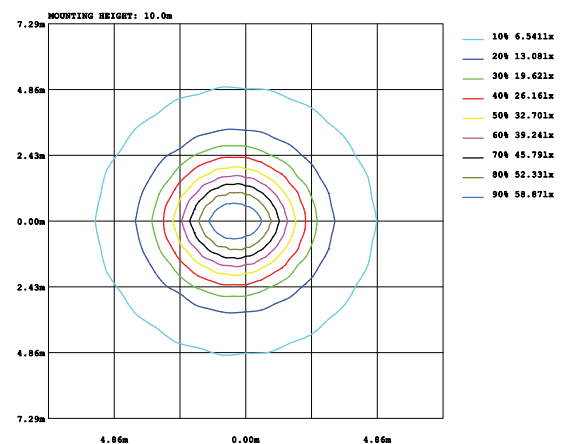
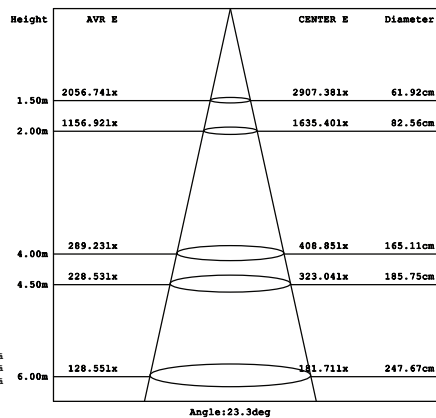
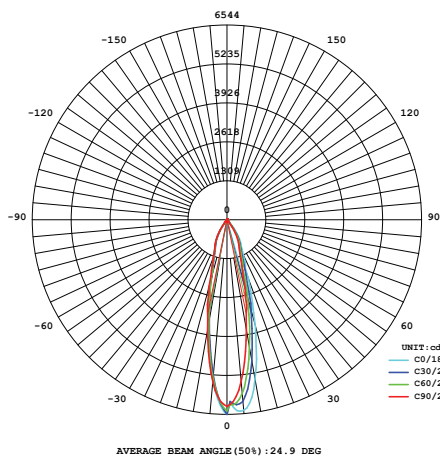


Model	Power	Led source	Beam angle	CCT	CRI	Flux
DLS-PW25/ DLS-PB25	25W	CREE (USA)	24°/36°	3000K	>80	2025lm
					>90	1920lm
				4000K	>80	2140lm
					>90	2055lm
				5000K	>80	2140lm

LAMP PHOTOMETRIC REPORT

AVERAGE AND CENTER E Figure

ISOLUX DIAGRAM



Parameter of DLP-PW25/DLP-PB25 | CCT 4000K

INSTALLATION INSTRUCTIONS

PACKING

- Ceiling cut**

Size cut: Ø170mm
- Connected Led Driver with 220VAC power**

≈ 220VAC → Driver → Jack → Ceiling cut
- Connected Led Driver with lamp**
- Put the lamp on the ceiling**

1 pcs

VinaLED®
Đ dẫn đầu về độ sáng và chất lượng