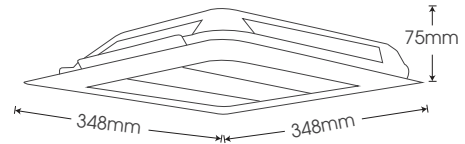




HB-FW90

White

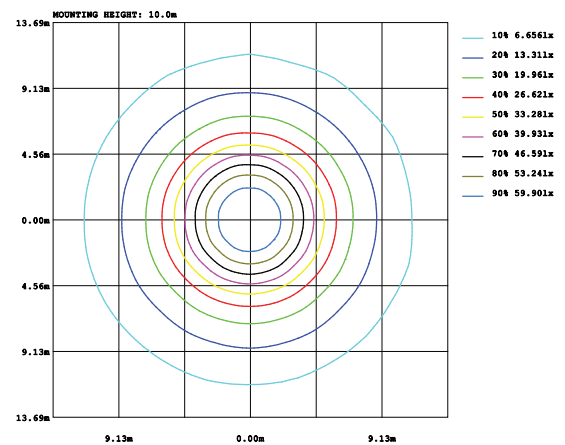
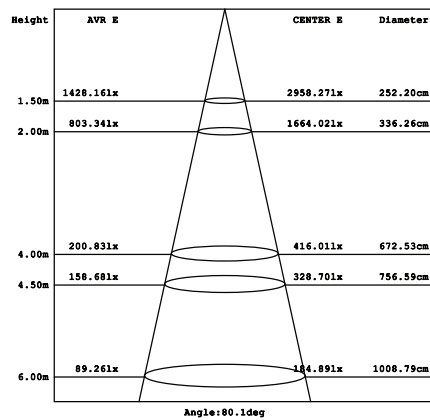
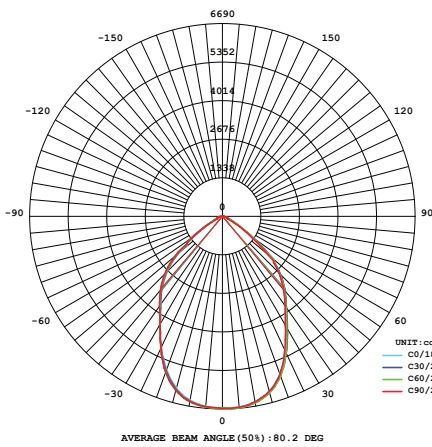


Model	Power	Led source	Beam angle	CCT	CRI	Flux
HB-FW90	90W	Lumileds(USA)/ Cree(USA)*	80°	3000K	>80	10915lm
				4000K	>80	11610lm
				5700K	>80	11610lm

LAMP PHOTOMETRIC REPORT

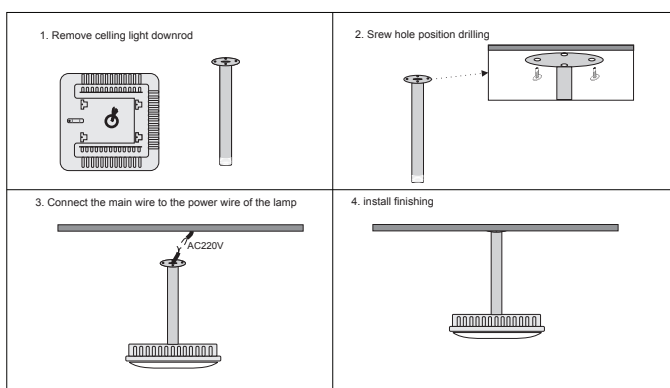
AVERAGE AND CENTER E Figure

ISOLUX DIAGRAM



Parameter of HB-FW90 | CCT 4000K

INSTALLATION INSTRUCTIONS



PACKING

