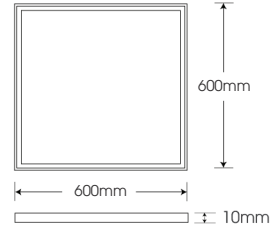


3000K 4000K 5000K 6500K

>30.000 Hours 220-240 VAC RoHS CE

PL-6060DS42 / PL-6060DW42

White
Silver



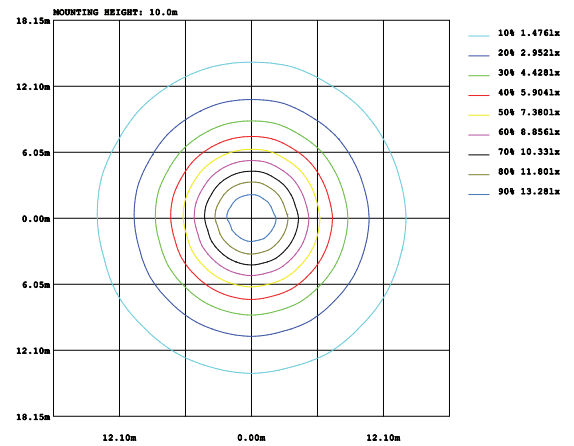
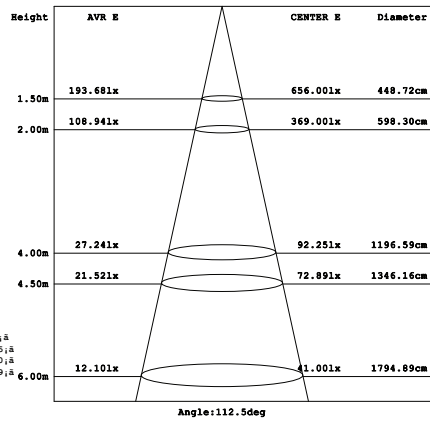
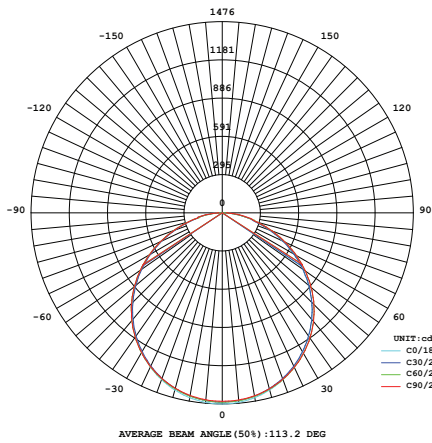
583x583mm

Model	Power	Led source	Beam angle	CCT	CRI	Flux
PL-6060DS42 PL-6060DW42	42W	Bridgelux(USA)	120°	3000K	>80	4125lm
				4000K	>80	4205lm
				6500K	>80	4205lm

LAMP PHOTOMETRIC REPORT

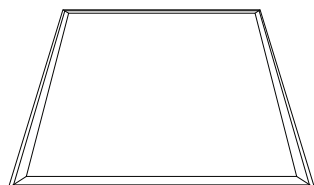
AVERAGE AND CENTER E Figure

ISOLUX DIAGRAM

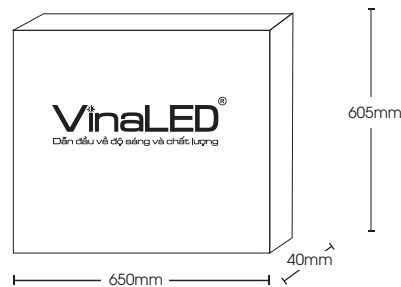


Parameter of PL-6060DS42/ PL-6060DW42 | CCT 4000K

PACKING



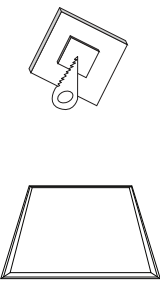
1pcs



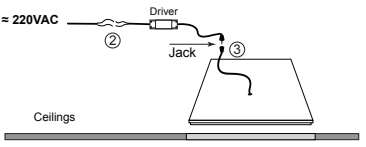
INSTALLATION INSTRUCTIONS

OPTION 1

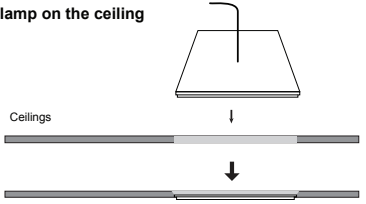
1. Ceiling cut



2. Connected Led Driver with 220VAC power
3. Connected Led Driver with lamp



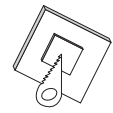
4. Put the lamp on the ceiling



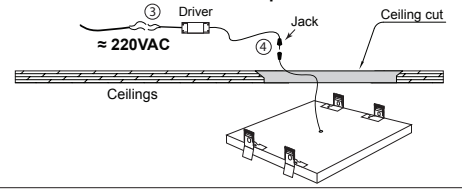
Note:
 Disconnect power, safety checking whole power system before construction.
 All radiator parts are not exposed directly to iron or steel

OPTION 2

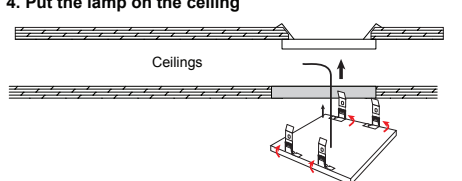
1. Ceiling cut



2. Connected Led Driver with 220VAC power
3. Connected Led Driver with lamp

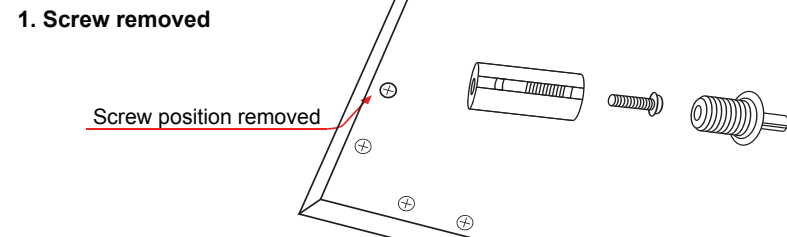


4. Put the lamp on the ceiling

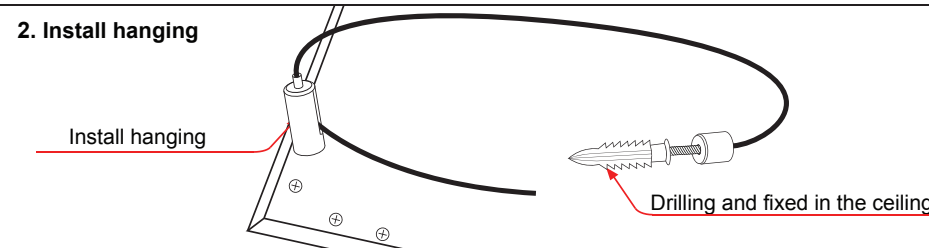


OPTION 3

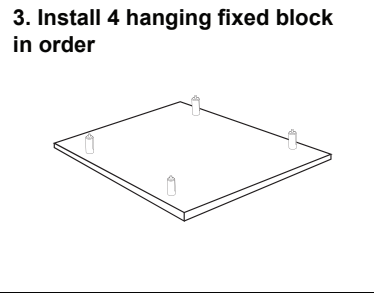
1. Screw removed



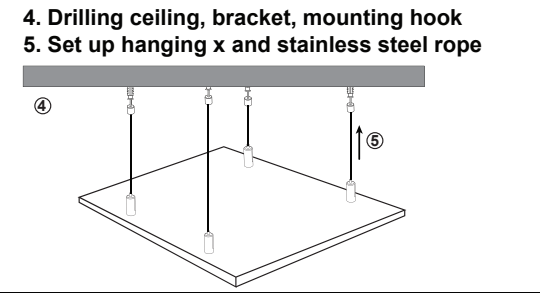
2. Install hanging



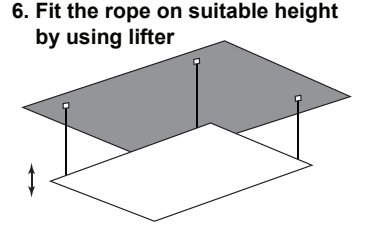
3. Install 4 hanging fixed block in order



4. Drilling ceiling, bracket, mounting hook
5. Set up hanging x and stainless steel rope



6. Fit the rope on suitable height by using lifter



7. Connected led driver with 220VAC power
8. Connected led driver with the lamp

