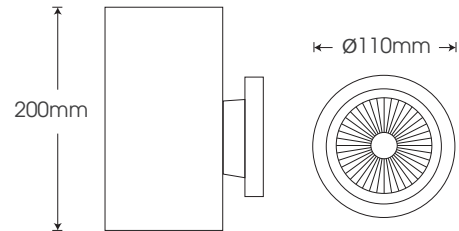


## WL-AB12/WL-AG12

- Grey
- Black

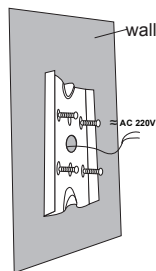


Model	Power	Led source	Beam angle	CCT	CRI	Flux
WL-AB12/ WL-AG12	12W	CREE (USA)	15°/30°/45°	3000K	>80	905lm
				4000K		1025lm
				5000K		1025lm

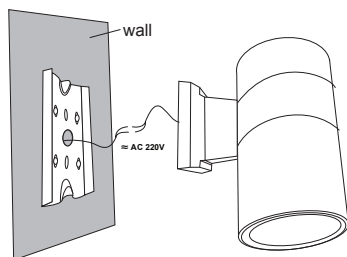
### INSTALLATION INSTRUCTIONS

### PACKING

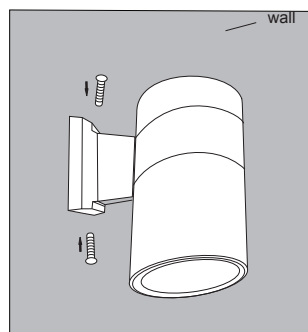
1. Fasten the adjustable bracket with stainless steel screw



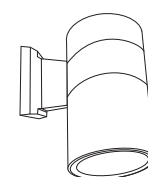
2. Connected lamp with 220VAC power supply



3. Connect the lamp body to the bracket then fix them with stainless steel screw



**Lưu ý:** • Before wiring to the power supply, turn off electricity at fuse or circuit breaker



1 pcs

