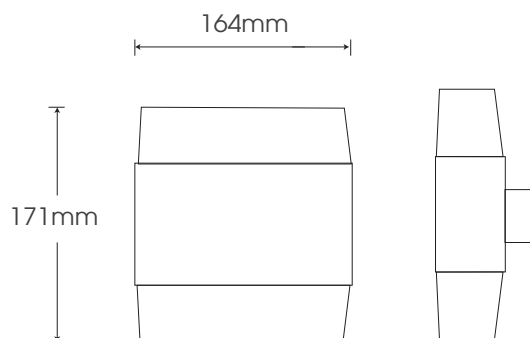


WL-GG6

Grey



Model	Power	Led source	CCT	CRI	Flux
WL-GG6	6W	Bridgelux(USA)	3000K	>80	520lm
			4000K		580lm
			6500K		580lm

INSTALLATION INSTRUCTIONS

1. Remove the screws and the brace

3. Connect the main line to the power wire of the lamp

2. Mark the position of the 2 fixing holes

4. Fix the lamp into frame by fastening stainless screw

5. Finishing

Note • Turn off the power at the circuit breaker and ensure that the power is off before wiring