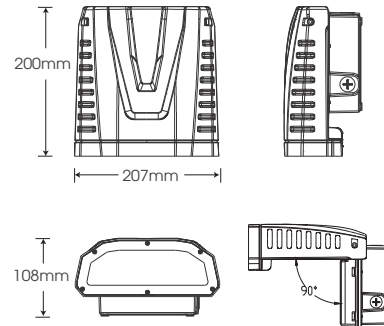


WL-KG50

Grey



Model	Power	Led source	CCT	CRI	Flux
WL-KG50	50W	Lumileds(USA)/Cree(USA)*	3000K	>80	5000lm
			4000K		5250lm
			5700K		5250lm

INSTALLATION INSTRUCTIONS

- Lift the lamp to a 90° angle, Use fixed hexagonal screw lock
- Remove the cover with screws, remove the cover as shown
- Determine where to install lights, drill 2 holes to install lights
- Close the rawplug in the drill hole, insert the power cord into the light
- Use screw to fix the lamp. Based on the water level, adjust the lights for balance.
- Connected the lamp with 220VAC power

L: Brown
N: Green
GND: Green/ Yellow
- Close the cover, tighten the screw with the screw
- Adjust angle accordingly, use tight hexagonal lock

Note : Disconnect power, check safety of the entire electrical system before construction. Only installed by qualified electricians.